

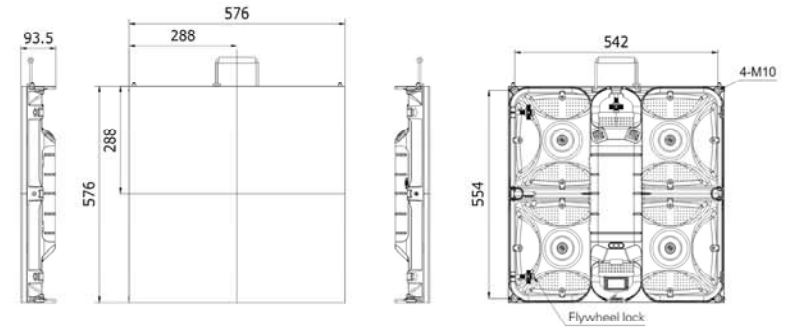
King Show -RS Series



Product Features:

- Die-casting aluminum cabinet, ultra light and slim, only 21kg/sqm.
- Front service magnet module design makes the maintenance more convenient.
- Flywheel fast lock design, high precision and seamless joint, installation more convenient.
- Black face SMD makes the screen high contrast ratio, delicate and fine HD image, good consistency.
- Support hanging and fixed installation, applicable to various applications.

Product Diagram(Unit:mm)



Product Specifications

Items	Parameter		
Model number	RS3	RS4	RS6
Pixel pitch	3.8mm	4.8mm	6mm
LED type	SMD2020(Black)	SMD2020(Black)	SMD3528(White)
Pixel configuration	1R1G1B	1R1G1B	1R1G1B
Size of module	288mm*288mm	288mm*288mm	288mm*288mm
Resolution of module	75*75	60*60	48*48
Density	67817 dots/m ²	43403 dots/m ²	27778 dots/m ²
Cabinet material	Alu	Alu	Alu
Size of cabinet	576mm*576mm*94mm	576mm*576mm*94mm	576mm*576mm*94mm
Weight of cabinet	7KG	7KG	7KG
Support hanging or not	Yes	Yes	Yes
Best viewing distance	>4m	>5m	>6m
Best viewing angle	140°		
Max power consumption	550W/m ²		
Average power consumption	180W/m ²		
Colors	16.7M		
Gray scale	14bits		
Color temperature	3000-10000K		
Driving method	1/15 scanning	1/15 scanning	1/12 scanning
Refresh frequency	2400Hz		
Frame frequency	60Hz		
Control method	Synchronization		
Driving device	Constant current		
Brightness	800cd/m ²	900cd/m ²	900cd/m ²
Working voltage	AC220V/110V ± 10%		
Working temperature	-20°C-50°C ± 10%		
Out-of control point	<0.0001		
Brightness control	256 grade		
IP grade	IP30		
Mtbf	10,000Hours		
Life span	100,000Hours		